



Tekne Staff Carrier Trucks: designed to safely carry your crew in harsh environment.

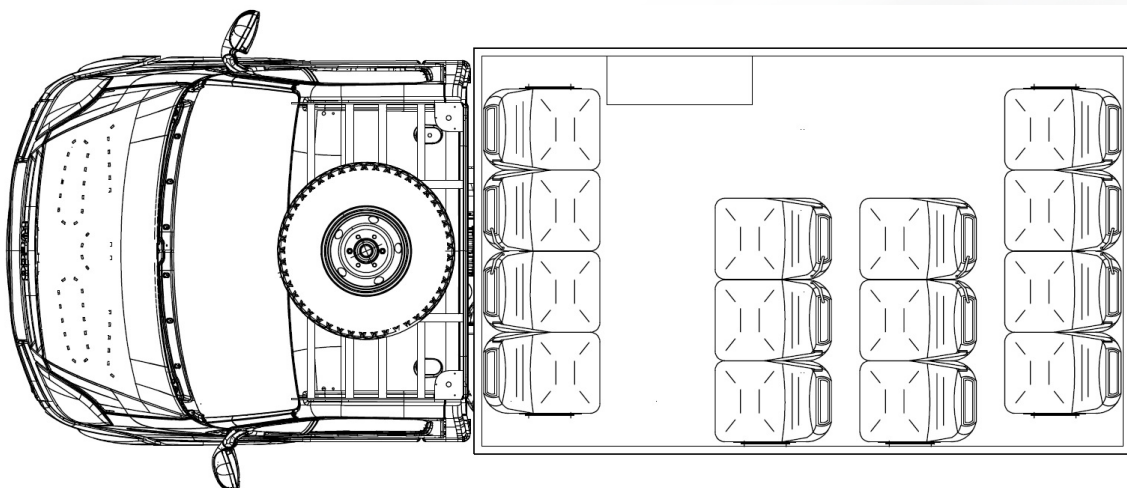
Stainless steel made framework, aluminium alloy external cladding, roof and internal cladding in metal sheet of galvanized steel, high thermal and acoustics insulation, high capacity air conditioning, ensure high transport capacity in comfort and safety.

Possibility of installation on chassis vehicles of MAJOR MANUFACTURER IN THE WORLD

STAFF CARRIER TRUCK

Moving in a robust and comfortable way

Staff Carrier Truck 14 seats by TEKNE made in Italy



This document may not be considered as a contract specification. Tekne reserves the right to modify the technical characteristics of this equipment without notice.



www.tekne.it
sales@tekne.it



Staff Carrier Truck 14 seats by TEKNE

STAFF CARRIER

Chassis TECHNICAL DETAILS

	standard	on request
Chassis	The bus cell can be fitted on 2-axis, 4x2 or 4x4 chassis of the world's LEADING TRUCK MANUFACTURERS	
Drive	LHD	RHD
Seats	1 driver + 1 co-driver	1 driver + 2 co-drivers
Gearbox	Manual (n. of gears depends on the choice of the base chassis brand)	Automatic (n. of gears depends on the choice of the base chassis brand)

Bus Body TECHNICAL DETAILS

Body	standard	on request
Framework	Made in stainless steel (excellent resistance to corrosion)	
External cladding	Aluminium alloy (Peraluman 30/10)	
Roof and internal cladding	Metal sheet of galvanized steel	
Thermal/acoustics insulation	Roof and side panels with sound absorbing and thermal insulating material	
Doors	2, manually operated	1, pneumatic, rototraslating; 2, pneumatic, rototraslating;
Emergency exit	1, manual roof hatch	2, manually operated
Windows	Single glazing tempered glass. Fixed window in the front, between driver cab and bus cab	Tinted tempered single glazing glass
Overhead luggage	/	Open luggage racks
Floor	Marine plywood floor with rubber bubble coating	
Seating	14 high backed seats with headrests or 2 points seatbelts	14 high backed seats with headrests or 3 points seatbelts
Seats Configuration	single seats side by side	
Interior lighting	Led ceiling lights	
Comunications	Intercom between driver's cab and bus unit;	Surveillance monitor in the cabin
Air conditioning	Roof top condenser unit, long run internal evaporators in front and in back of the bus unit	
Spare wheel	Fixed under chassis, with winch	Located on the roof of the cabin, anchored on a specific structure
Luggage box	Luggage compartment under the chassis	
Safety accessories	Dry powder fire extinguisher (water extinguisher for EU market); First aid kit; 2 wedges; Rotating beacon on the roof; Red rear lights indicating vehicle silhouette; Side indication lights; Stop request button with signal in the cabin; Hammers for breaking glass	Supplementary fire extinguisher, defibrillator, ecc., other, on request
Standard toolkit	Hydraulic jack Key for the disassembly of the tires Use and maintenance manual (english)	Use and maintenance manual (French); Use and maintenance manual (Spanish); Use and maintenance manual (Italian); Other required languages
Color	Standard white	Customized colour
Adhesive & personalization	/	application of personalized stickers

OTHER OPTIONS (on request)

Reversing warning buzzer	Seats cover
Additional LED light bar on the front	Rear view camera with monitor in the cabin
Metal protection grilles on the rear lights	passage of the exhaust pipe under the chassis (instead of vertical muffler)
Inflating tyre system	FOPS compliance to ISO 3449
ROPS compliance to ISO 3471	
Bull bar on the front	



Ed. ENG-1806-01.a

TEKNE srl
Headquarters
Contrada San Matteo, 42
66030 Poggiofiorito (CH)
ITALY
E-mail: sales@tekne.it

Operational Unit - Ortona
C.da Alboreto, ex SS538
66026 Ortona (CH)
ITALY
Ph.: +39 0871 938820

All rights reserved ©Tekne srl 2018